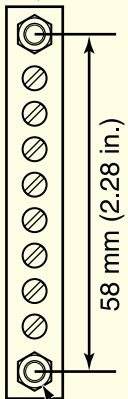


Record the Channel information. Circle the selected jumpers.

R01	I01
R02	I02
R03	I03
R04	I04
R05	I05
R06	I06
R07	I07
R08	I08
R09	I09
R010	I010
R011	I011

Earth/Ground Strip for termination of wire shields.



4 mm Stud – Must be true earth/ground to the enclosure.

Input Connections

Field Supply (24 ±10% VDC)

Signal Status LED

For analog signals:
Brightness indicates voltage level
For digital signals:
ON = Device contacts open OFF = Device contacts closed

I/O Bus and Power Supply Connector (from Processor or previous module)

Module Address (1 to 9, A to F)

Record Module Address

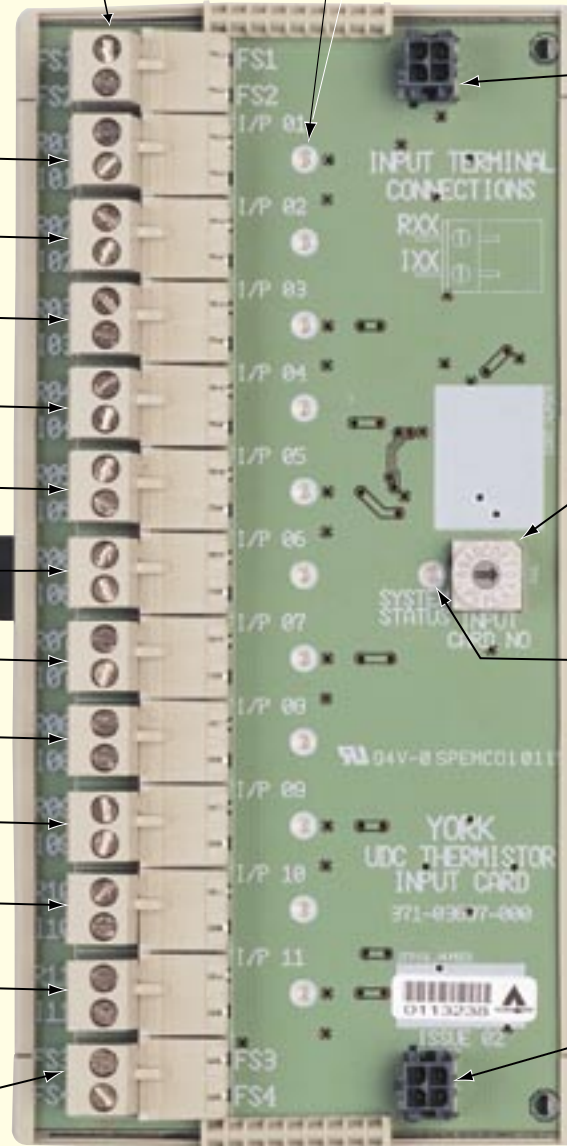
The Input Module addresses must be numbered sequentially.

System Status LED

The SYSTEM STATUS LED illuminates when functioning properly. If not lit, power is removed or the module is not functioning.
1 flash per second = Normal Operation
2 flashes per second = Address not set
1 flash per two seconds = Duplicate Address (Two modules use the same address)
Continuously ON = Software (F63) is not enabled

I/O Bus and Power Supply Connector (to next module)

Field Supply (24 ±10% VDC)



Record
SN: _____
Date: _____

***Thermistor
Input Module
for CX-UDC & UDC***

ISNConnexsys

The **ISN** Advantage

Thermistor Input Module

for CX-UDC & UDC

Part Number: 371-03637-000

The Thermistor Input Module accepts volt-free (digital), resistance and pulse signals from external devices. No jumpers are required for this module to recognize the different types of signals.

Each module includes a 220 mm (8.6 in.) I/O bus cable and Earth/Ground strip with attaching hardware.

Using the software within the UDC, the information is monitored, forwarded to other controllers or processed and used to control other external devices.

Other modules are available for other types of input or output signals. This equipment is an accessory intended for use with the CX-UDC and UDC product line for field installation within an enclosure.

Contact:

YORK Controls Group (U.K. Office)
Unit 1, Red Shute Hill, Hermitage,
Newbury, Berks RG18 9QL
Telephone: +44 (0)1635-202200
Fax: +44 (0)1635-202222
e-mail: controls.sales@uk.york.com

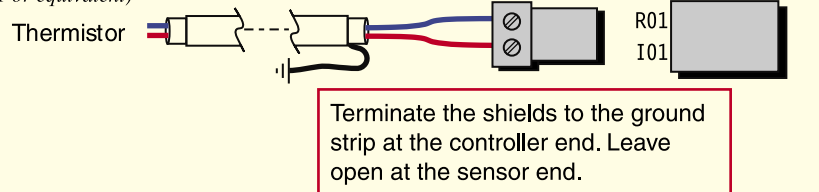
YORK Controls Group (U.S. Office)
P.O. Box 1592, York, PA, USA 17405-1592
Telephone: 800-861-1001
Fax: (717) 771-7640
www.york.com
e-mail: isncontrols@york.com

YORK INTERNATIONAL
CORPORATION

Subject to change without notice.
Copyright © by York International Corporation 2004
ALL RIGHTS RESERVED
Form 450.20-N8 (704)
Supersedes 450.20-N8 (802)

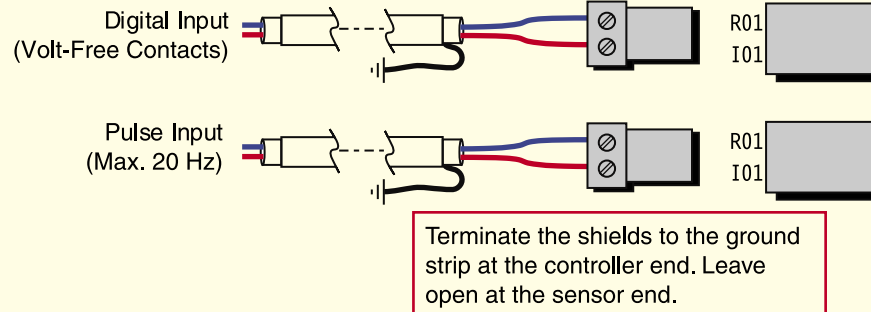
RESISTOR CONNECTIONS

Recommended wire: Overall shielded AWG22
(Belden 8761 or equivalent)



DIGITAL CONNECTIONS

Recommended wire: Overall shielded AWG22
(Belden 8761 or equivalent)



FIELD INPUT CONNECTIONS

Recommended wire: Overall shielded AWG22
(Belden 8761 or equivalent)

