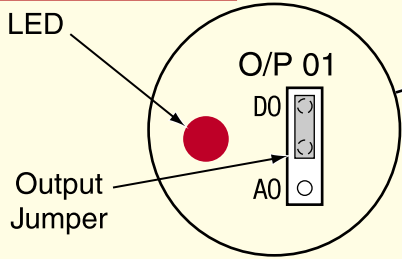


For analog signals:
Brightness indicates voltage level
For digital signals:
ON = Device energized
OFF = Device deenergized

Signal Status LED



Output Jumper

Record Module Address

Module Address (1 to 9, A to F)

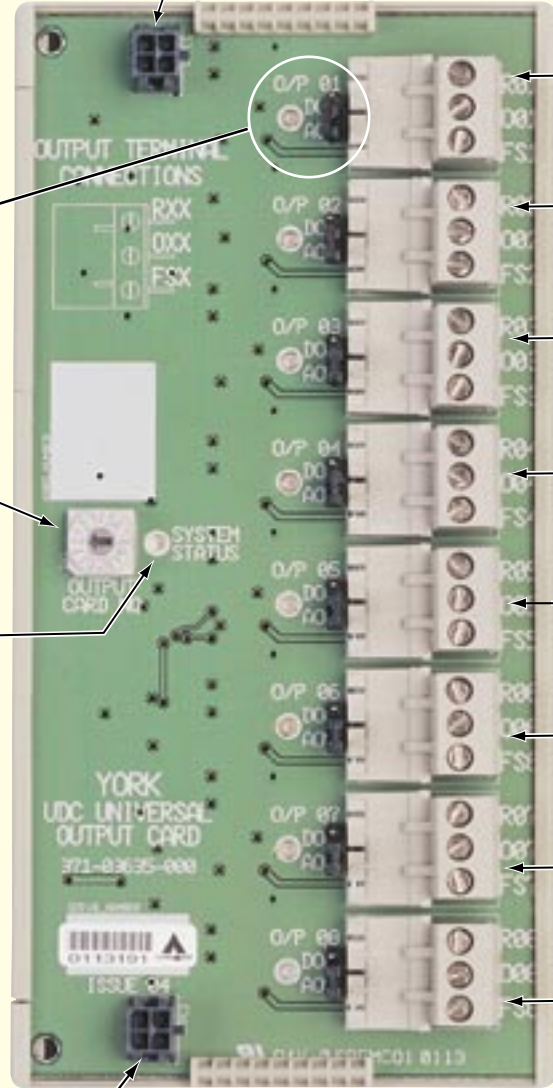
The Output Module addresses must be numbered sequentially.

System Status LED

The SYSTEM STATUS LED illuminates when functioning properly. If not lit, power is removed or the module is not functioning.
1 flash per second = Normal Operation
2 flashes per second = Address not set
1 flash per two seconds = Duplicate Address (Two modules use the same address)
Continuously ON = Software (F64) is not enabled

Universal Output Module for CX-UDC & UDC

I/O Bus and Power Supply Connector (from Processor or previous module)

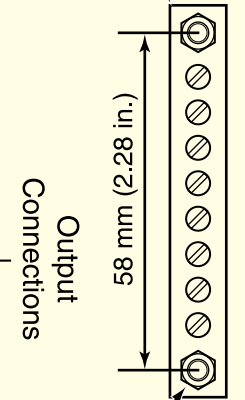


Each output channel connector block has an Output (O_{nn}), Return (R_{nn}) and 24 ±10% VDC Voltage Supply (FS_{nn}) terminal.

Record the Channel information. Circle the selected jumper position.

DO	R01
AO	O01
	FS01
DO	R02
AO	O02
	FS02
DO	R02
AO	O02
	FS02
DO	R04
AO	O04
	FS04
DO	R05
AO	O05
	FS05
DO	R06
AO	O06
	FS06
DO	R07
AO	O07
	FS07
DO	R08
AO	O08
	FS08

Earth/Ground Strip for termination of wire shields.



Record
SN:
Date:

ISNConnexsys

The **ISN** Advantage

Universal Output Module for CX-UDC & UDC

Part Number: 371-03635-000

The Universal Output Module has 8 channels. Each channel can output as either open collector transistor or as an analog voltage. Each channel can sink 30 mA as a digital output or 0 to 10 volts @ 5 mA for analog output. Jumpers are provided for each channel which must be set for the appropriate signal type.

Each module includes a 220 mm (8.6 in.) I/O bus cable and Earth/Ground strip with attaching hardware.

Other modules are available for different types of input and output signals. This equipment is an accessory intended for use with the CX-UDC and UDC product line for field installation within an enclosure.

Contact:

YORK Controls Group (U.K. Office)
Unit 1, Red Shute Hill, Hermitage,
Newbury, Berks RG18 9QL
Telephone: +44 (0)1635-202200
Fax: +44 (0)1635-202222
e-mail: controls.sales@uk.york.com

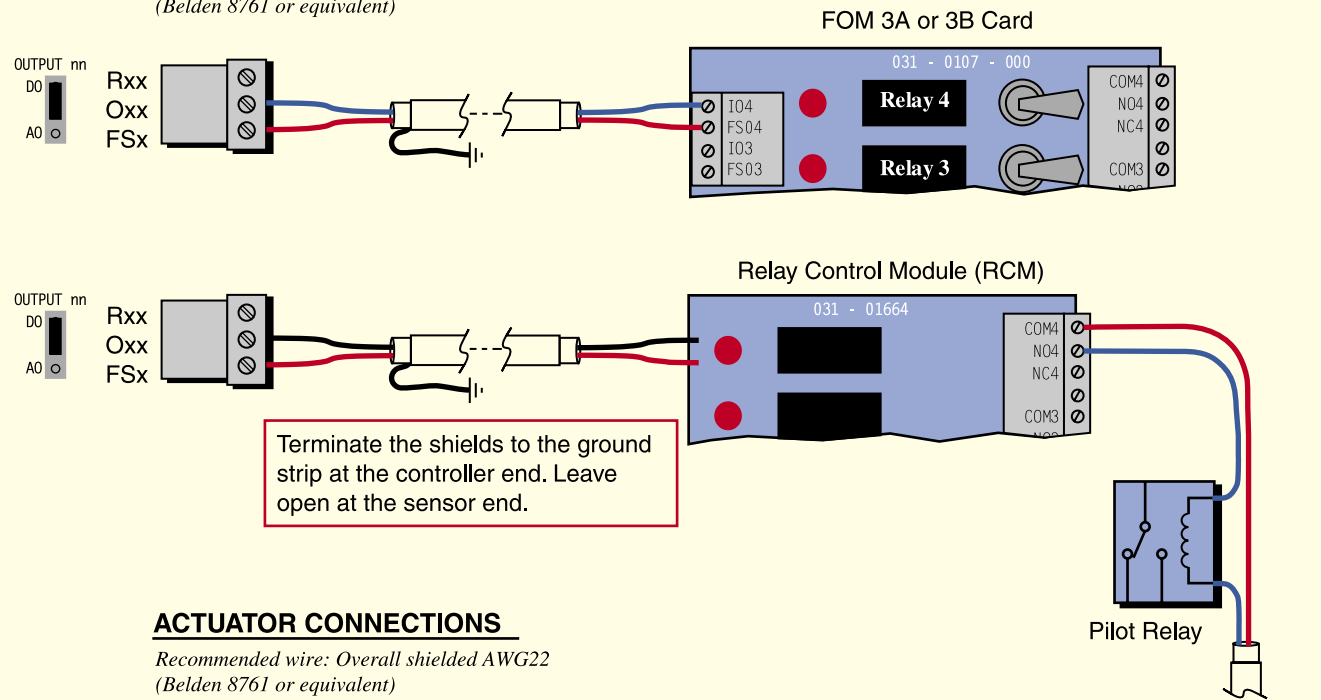
YORK Controls Group (U.S. Office)
P.O. Box 1592, York, PA, USA 17405-1592
Telephone: 800-861-1001
Fax: (717) 771-7640
www.york.com
e-mail: isncontrols@york.com

YORK INTERNATIONAL
CORPORATION

Subject to change without notice.
Copyright © by York International Corporation 2004
ALL RIGHTS RESERVED
Form 450.20-N7 (704)
Supersedes 450.20-N7 (802)

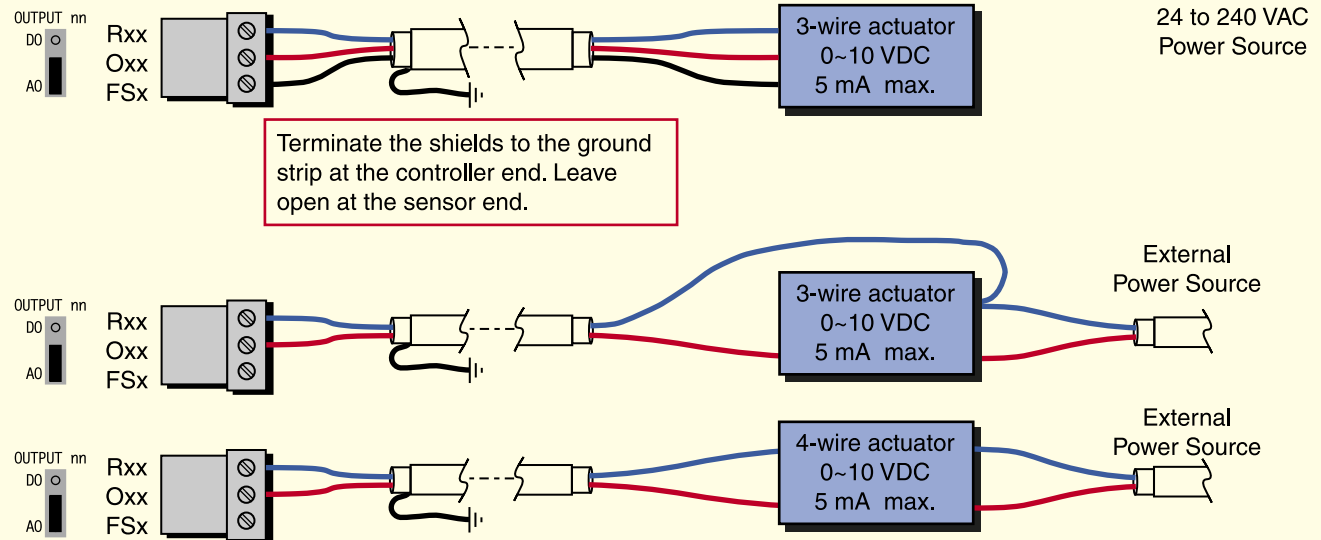
DIGITAL CONNECTIONS (SWITCHED OUTPUT TO FOM OR RELAY CARD)

Recommended wire: Overall shielded AWG22
(Belden 8761 or equivalent)



ACTUATOR CONNECTIONS

Recommended wire: Overall shielded AWG22
(Belden 8761 or equivalent)



CAUTION: For external power supplies the Earth/Ground must be common or the actuator must have isolated grounds.