

# Graphical Touchscreens

## Comset HX Touchscreen

Fast and easy changing of settings in the building control system? Without a PC but still with a complete overview and extensive (graphical) options? The Priva Comset HX Touchscreen is the ideal solution for all required basic operations, including setting and reading hours of overtime, temperature and lighting. The Priva Comset HX Touchscreen is the ideal solution for all operations, including viewing and adjusting BMS parameters such as temperature, pressure and humidity. It allows fast and easy set point adjustments to be made in a secure operating environment without the need for a PC.



### Intuitive operation with touch screen

The Comset HX Touchscreen (supplied with a stylus pen) allows you to select, read data and make changes. The menu of the Comset HX has been designed in such a way that, besides control with the pen, control by finger is also possible. Due to the clear menu structure and internal help texts, no personal instruction is needed.

The user menu is built up using Priva's TC Select engineering tool. Each Comset HX has a customized menu and each individual user of that particular Touchscreen has access defined by his/her rights.

### Perfectly customised control for Compri HX

The Comset HX can be used in combination with Compri HX controllers, and can be mounted almost anywhere in the building. This makes these operating units ideal for use in, for example, hospitals, shopping centres, hotels, schools, office buildings, meeting rooms, conference rooms, boardrooms, or presentation rooms.

Several Touchscreens can be connected to a single Compri HX, each with its own menu. The menus can use settings, measurements and controls from different Compri HX controllers. The data displayed are always up-to-date: value changes are always visible. Graphs of the measurements and controls can also be viewed. Each Touchscreen also has three indication LEDs and a buzzer. During configuration, these can be allocated a freely selected function, for example high priority and low priority failure messages. During control, the selected function will be immediately clear thanks to the written explanation on the touch screen. With the Comset HX there is no need anymore for any other switches and indications in a separate location.

### For every situation the ideal Comset HX

The Comset HX is supplied with monochrome or colour display. The housing, which has an anti-theft bayonet catch, is available in the colours 'white' and 'silver'. Two software modules are available for the Comset HX: the 'Comset HX Touchscreen Module' and the 'Comset HX Touchscreen Module pro'.

The 'Comset HX Touchscreen Module' is able to display a maximum of 20 variables and has a main menu with one submenu level. The 'Comset HX Touchscreen Module pro' can display many more variables (100) and has a menu structure of one main menu and a maximum of 5 submenu levels. In all other respects, it is identical to the 'Comset HX Touchscreen Module'.



## Compri HX Touchscreen

If a PC is not available and you want to quickly change a few set points or view values for example during servicing then the ease of control from the Priva Compri HX Touchscreen will be the solution.

### Clear and user-friendly system control

The Compri HX Touchscreen allows variables from the Compri HX controllers to be operated with the stylus pen. Thanks to its 9-line screen size and the well-thought-out menu structure, all parts needed for control are easily accessible and adjustable. Graphs are directly available through the graphic display. Through its connection with the Compri HX, the Compri HX Touchscreen gives access to all other Compri HX and TC controllers in a project. This saves a lot of walking between installations with many operating panels.



### Customised menus for end users

Besides the automatically generated menus for the installation operation, the Compri HX Touchscreen also provides a user operation. The user will have a fully customised control. The user operation is identical to the user operation of the Comset HX Touchscreen Module pro, with a maximum of 100 variables in a menu structure of 6 levels.

### For every situation the ideal Compri HX Touchscreen

The Compri HX Touchscreen is available in two versions.

- As display on the Compri HX
- In a panel mounted design, also connected to the Compri HX



Both versions are able to report an alarm through the indication LEDs and the buzzer. The panel-mounted version may, for example, be mounted in the door of the control panel. The door can then stay closed, ensuring permanent protection of the electrical components. Extra indication devices, such as lamps and buttons on the control panel need not be used. The function of the LEDs is immediately clear thanks to the explanations on the screen. Both types of Compri HX Touchscreens are available with a monochrome and a colour display.

The software 'Compri HX Touchscreen Module' is available for every Compri HX Touchscreen. This software contains the installation operation and the user operation.

### Also for existing Top Control systems

The Compri HX Touchscreen works in combination with Compri HX controllers from Top Control version 6.0. These controllers may be connected to controllers with older Top Control versions, enabling them also to be operated with the Compri HX Touchscreen via the data network. The Compri HX even enables the control of controllers from earlier generations (Priva Compri TC). This way, Priva makes sure that systems stay up-to-date for a long time!



## Specifications Hardware



General	Comset HX Touchscreen	Compri HX Touchscreen	Compri HX touchscreen panel mounting
Component and part number	Comset HX Touchscreen (white) (400125)  Comset HX Colour Touchscreen (white) (400126)  Comset HX Touchscreen (silver) (400127)  Comset HX Colour Touchscreen (silver) (400128)	Compri HX Touchscreen (400023)  Compri HX Colour Touchscreen (400024)	Compri HX Touchscreen panel mounting (400025)  Compri HX Colour Touchscreen panel mounting (400026)
Application	User operation	Installation operation and user operation	Installation operation and user operation
Software module	Comset HX Touchscreen module or the Comset HX Touchscreen Module pro	Compri HX Touchscreen Module	Compri HX Touchscreen Module
Type display	Touchscreen (with audible click) LCD 320x240 pixels Colour or monochrome	Touchscreen (with audible click) LCD 320x240 pixels Colour or monochrome	Touchscreen (with audible click) LCD 320x240 pixels Colour or monochrome
Backlight	LED (white), adjustable intensity	LED (white), adjustable intensity	LED (white), adjustable intensity
Contrast	Adjustable	Adjustable	Adjustable
Dimensions display	80x60 mm (3,8")	80x60 mm (3,8")	80x60 mm (3,8")
Display of messages and alarms	Yes	Yes	Yes
Number of LED	3	3	3
Function of the LED	Free to configure	Free to configure	Free to configure
Colour of the LED	2 LED in 3 colours (red, yellow, green), 1 LED only red (Continue or flashing)	2 LED in 3 colours (red, yellow, green), 1 LED only red (Continue or flashing)	2 LED in 3 colours (red, yellow, green), 1 LED only red (Continue or flashing)
Buzzer	Fixed pitch, on/off, settable volume	Fixed pitch, on/off, settable volume	Fixed pitch, on/off, settable volume
Function of the buzzer	Free to configure	Free to configure	Free to configure
Accessories	Stylus pen, held in housing Close cap in case of no stylus pen	Stylus pen, held in housing	Stylus pen, held in housing
Montage	On wall or at basic installation box. The bottom part is fitted with fastening holes. Front panel and base have a bayonet fitting with anti-theft.	At base module Compri HX	Built in a control panel
Dimensions	136x94x30 mm	199x107x34 mm	157x123x6,3 mm (in assembled situation)
Weight (inclusive stylus pen)	210 gr.	335 gr.	285 gr.
Colour (approximately)	Front white: RAL9010 Front silver: RAL9006 Base: PMS432 Stylus pen: PMS432 Close cap silver: RAL 9006 Close cap white: RAL9010	Front: PMS646 Base: PMS432 Stylus pen: PMS432	Front: PMS432 Base: PMS432 Stylus pen: PMS432
Cable input	Opening in bottom part	Opening in bottom part	Opening in bottom part
Protective rating (in assembled situation)	IP30	IP30	IP64



Connection	Comset HX Touchscreen	Compri HX Touchscreen	Compri HX Touchscreen panel mounting
Maximum number connected on a Compri HX controller	8	One Compri HX Touchscreen and one Compri HX Touchscreen panel mounting can be connected on one Compri HX controller	
Communication	Together on one RS485- port of the base module Compri HX	Two Compri HX Touchscreen panel mounting can be connected together on one port of the base module Compri HX	
Connector type	Screw terminal, 4 pin plug connection	RJ11	Screw terminal, 4 pin plug connection
Maximal cable cross section	1,5 mm <sup>2</sup> single core 1,0 mm <sup>2</sup> multi-core 1,0 mm <sup>2</sup> with ferrule connector	FCC-68 data cable 6 cores	1,5 mm <sup>2</sup> single core 1,0 mm <sup>2</sup> multi-core 1,0 mm <sup>2</sup> with ferrule connector
Maximum cable length	For RS485-busdistance: 300 m For power cable: see table below	10 m	For RS485-busdistance: 300 m For power cable: see table below
Power supply	24 Vac (20 till 30 Vac) or 20-40 Vdc	Via Compri HX	24 Vac (20 till 30 Vac) or 20-40 Vdc

#### Maximum length power supply cable

The table below gives the maximum cable length of the supply cable by miscellaneous number of Touchscreens with different core diameter. The required nominal output capacity of the transformer is also take along.

Herewith apply the following essential preconditions and remarks:

- The mains voltage is 230 VAC -15%/+10%, the nominal output capacity of the transformer is 24 VAC.
- The transformer is only charged by the concerning number of Touchscreens.
- The Touchscreens are divided proportional over the length of the power supply cable. When the Touchscreens been placed all together on the end of the cable, the maximum length of the cable must be halved.
- The connector of the Touchscreens allows a maximal core diameter of 1,5 mm<sup>2</sup> (single core). With a thicker cable this must be connected to the controller via a thinner cable as specified above.
- The cable length specifications apply between the transformer and the Touchscreen at the back. When the transformer been placed in the middle of the cable, the maximum cable length can be doubled.
- As well as the cable length specifications of the power supply, other specifications apply to RS485 lines.

Number of Touchscreen per supply cable	1	2	3	4	5	6	7	8
Minimal output capacity transformer (VA)	12	24	36	48	60	72	84	96
Core diameter 1,0 mm <sup>2</sup>	200	130	100	80	70	60	50	40
Core diameter 1,5 mm <sup>2</sup>	300	200	150	120	100	90	80	70
Core diameter 2,5 mm <sup>2</sup>	500	330	250	200	170	150	130	110



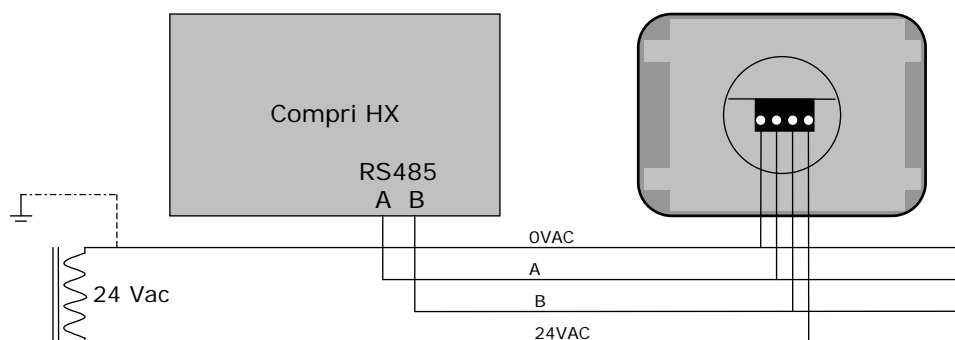
Environmental requirements	Comset HX Touchscreen	Compri HX Touchscreen	Compri HX Touchscreen panel mounting
Permissible ambient operation temperature	0 tot 50 °C	0 tot 50 °C	0 tot 50 °C
Permissible transportation / storage temperature	-20 tot 70 °C	-20 tot 70 °C	-20 tot 70 °C
Permissible maximum ambient relative humidity	80% at T = 30°C, linear degression to 50% at T = 40°C (non condensing)	80% at T = 30°C, linear degression to 50% at T = 40°C (non condensing)	80% at T = 30°C, linear degression to 50% at T = 40°C (non condensing)
Installation class	Installation category (over voltage category) II	Installation category (over voltage category) II	Installation category (over voltage category) II
Permissible ambient pollution	Pollution degree 2	Pollution degree 2	Pollution degree 2

## Specifications Software

Component	Comset HX Touchscreen module	Comset HX Touchscreen module pro	Compri HX Touchscreen module
Part number	Standard available	510508	Standard available
Application	User operation	User operation (extended)	Installation operation and User operation (extended)
Control unit	Comset HX Touchscreen	Comset HX Touchscreen	Compri HX Touchscreen Compri HX Touchscreen panel mounting
Variables	From any Compri HX controllers in the project	From any Compri HX controllers in the project	From any Compri HX controllers in the project
Maximum number of variables	20	100	Installation operation: Unlimited number of variables, menu automatically generated User operation: 100 variables
Number of levels in user menu	2	6	6
Access	Optional via user management	Optional via user management	Optional via user management
Compatibility	Compri HX with system software up to TC 6.0 Via the Compri HX can be asked for the variables out of the Compri HX < TC 6.0 and the Compri TC The Compri HX LCD (2 x 40) can also be used on projects of TC 6.0		

## Connection

### Connection Comset HX Touchscreen



- The 0VAC wiring need not be earthed. It is permitted though.
- Instead of a 24 Vac supply, a DC supply may also be used with a voltage between 20 and 40 Vdc.
- Several Comset HX Touchscreens can be set in parallel. The correct address is set via the configuration of the Comset HX.

### Connection Compri HX Touchscreen

The Compri HX Touchscreen is connected with the supplied coiled cord to the LCD-port of the Compri (RJ11). Instead of the coiled cord, a 6-core FCC-68 cable can be used with a maximum length of 10 m.

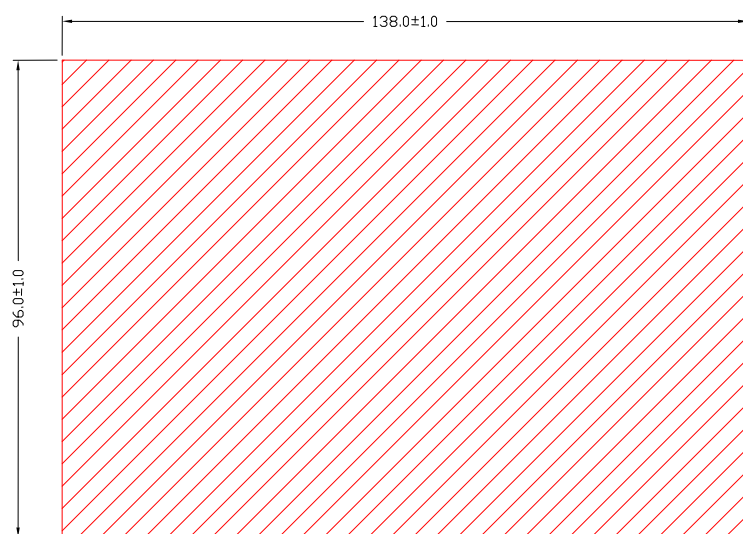
### Connection Compri HX Touchscreen panel mounting

The Compri HX Touchscreen panel mounting is connected in the same way as the Comset HX Touchscreen.

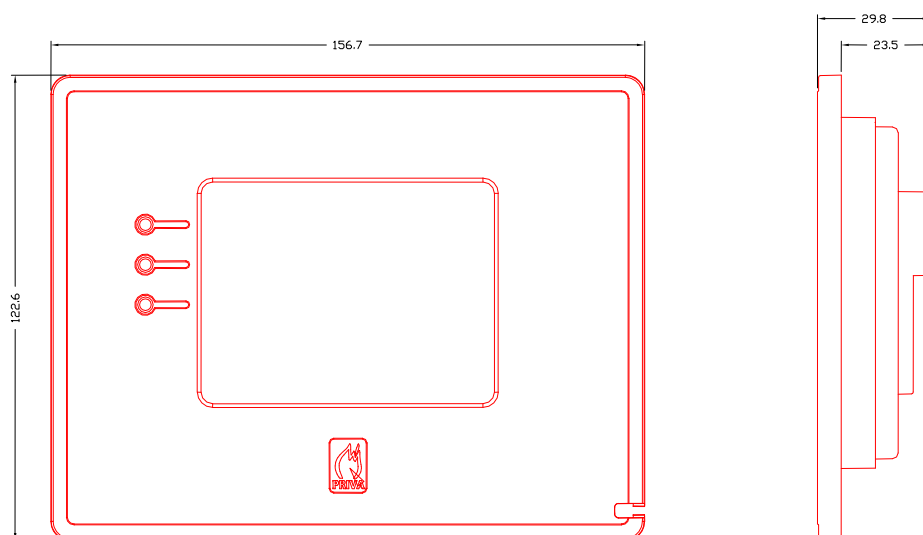
## Mounting

### Mounting Compri HX Touchscreen panel mounting

Mounting of the Compri HX Touchscreen panel mounting must take account of the following requirements: The recess to be made to mount the Touchscreen is shown on the drawing below. The applicable IP-standard for the product can only be guaranteed if the recess complies with the measurements on the drawing and the corresponding tolerances.



The outside dimensions of the Compri HX Touchscreen panel mounting are shown on the drawing below:





The supplied product has four screws to mount the Compri HX Touchscreen panel mounting in the panel. With the aid of these screws, the product can be mounted in panels with a maximum thickness of 4mm. If the product is mounted in a thicker panel, other screws need to be used. It is important that screws are used that are made for mounting in synthetic materials (for example the KT7981 series from Jevoka). The thickness of the panel and corresponding length of the screws are shown in the table below.

Panel thickness	Screw length	Pitch diameter
5-9 mm	20 mm	3,5 mm
10-14 mm	25 mm	3,5 mm
15-19 mm	30 mm	3,5 mm
20-24 mm	35 mm	3,5 mm

#### Mounting Comset HX Touchscreen

The Comset HX Touchscreen can be mounted on a built-in box or on the wall. For mounting on a built-in box, the supplied screws must be used.